



Automation for Sliding Gates

BOXER 500/800 DC

Current Detection With LED Display

Allows users to monitor the operation status through a digital display board during installation

Guaranteed Quality

Aluminum die-cast motor base passed 40,000 life-cycle tests with 500/800kg fully loaded gate. UV stabilized over on main motor chassis providing great resistance to outdoor environments

Smartphone Control

Remotely open and close doors with the Chow! app

Programming the motor through Chow! app

Extra home security and convenience with the Chow! Cam from anywhere and any device



Key Release



Easy Installation



Smartphone Control



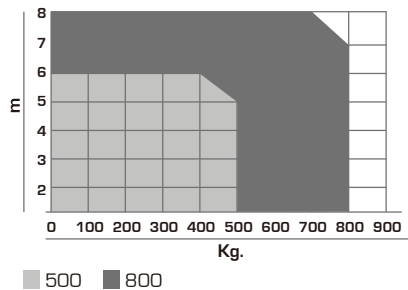
Secure Operation



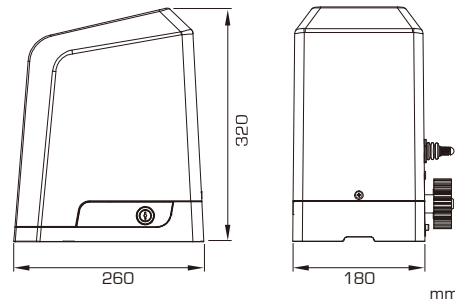
Battery Backup



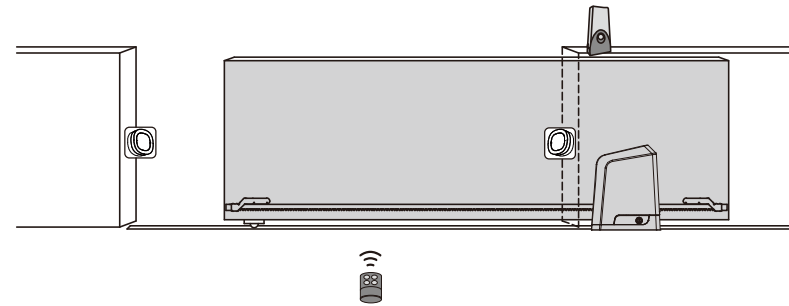
Application Diagram



Dimensions



Basic Installation



Model Name	BOXER 500	BOXER 800
Technical Feature	DC Sliding Gate Opener	DC Sliding Gate Opener
Max Gate Length	6M	8M
Max Gate Weight	500Kg	800Kg
Power Supply	110-240VAC (50-60Hz)	110-240VAC (50-60Hz)
Motor Power Supply	24VDC	24VDC
Motor Spec No.	5844 Motor L	7152 Motor
RPM	3800RPM	2600RPM/3600RPM
Gear Type	Worm Gear	Worm Gear
Peak Thrust	5000N	8000N
Gate Speed	21.9 cm/sec	25.8 cm/sec
Opening Time	< 27 sec (6M)	< 36 sec (8M)
Duty Cycle	20%	20%
Protection Grade (IP)/ Protection Class	IP 44	IP 44
Working Temperature/ Operating Temperature	-20~50°C	-20~50°C
Absorbed Current (A)	5.5A for Maximum 10 secs	5.5A for Maximum 10 secs
Absorbed Power (W)	144W	144W
Manual Release	Key	Key
Enclosure Dimensions	250mm*170mm*265mm	250mm*170mm*265mm

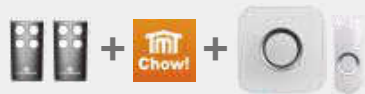
Security System

Basic Access Kit



Gate Opener,
2x Transmitters, Chow! app

Smart Starter Kit



Gate Opener, 2x Transmitters, Chow! app, Chow Bell

Secure Pro Kit



Gate Opener, 2x Transmitters, Chow! app, Chow Bell, Chow Cam

Basic Access Kit (gate opener, transmitters 2 pcs, Chow App). Smart Starter Kit (gate opener, transmitters 2 pcs, Chow App, Chow Bell). Secure Pro Kit (gate opener, transmitters 2 pcs, Chow App, Chow Bell, Chow Cam).

